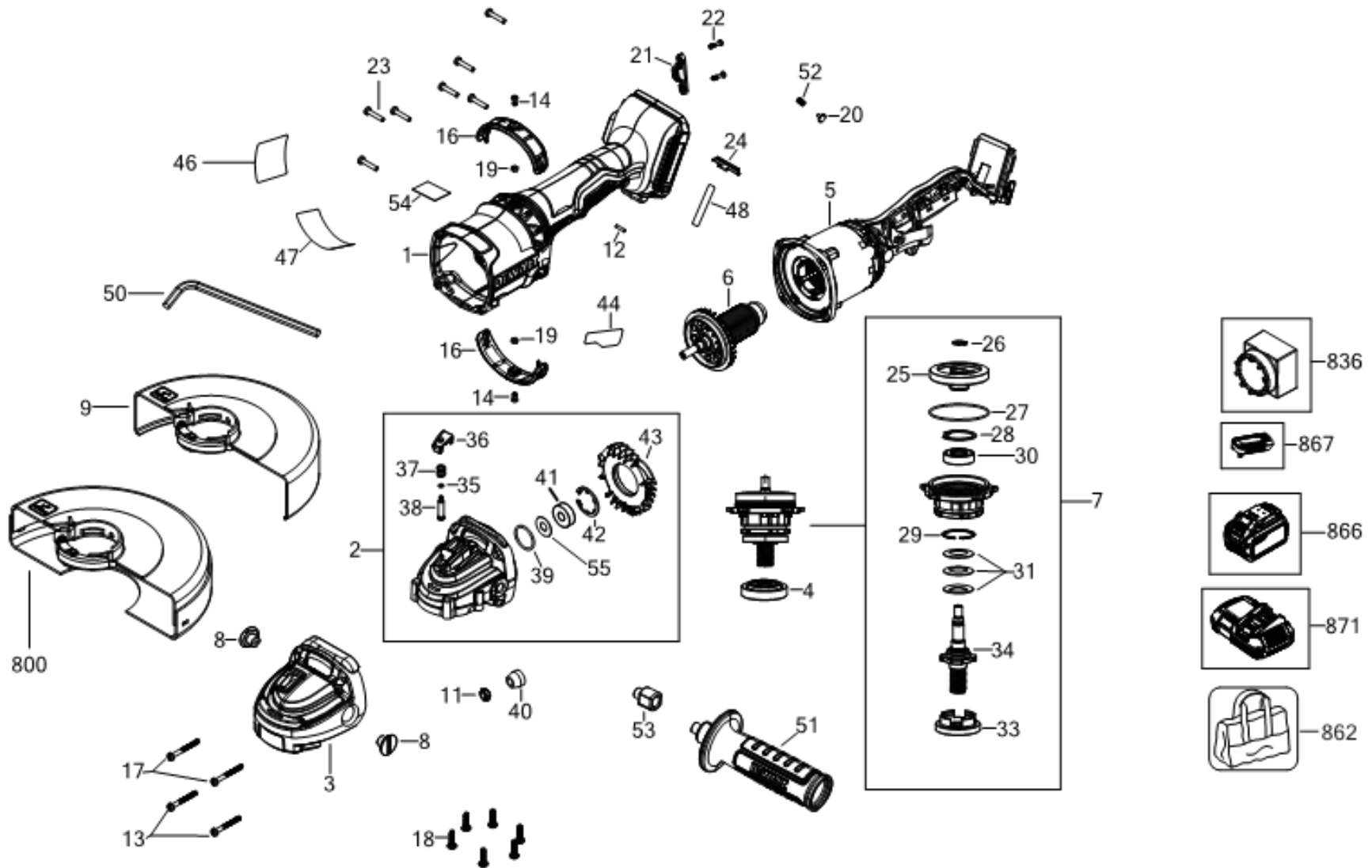


DCG440N ANGLE GRINDER 1



Parts List DCG440N ANGLE GRINDER 1

| Item | Part Number | Qty | Part Description | General Description | Other Info | Repair Inst | Markets |
|------|-------------|-----|-------------------|---------------------|------------|-------------|---------|
| 1 | N921148 | 1 | CLAMSHELL SET | | | No | XJ |
| 2 | NA015836 | 1 | GEARCASE SA | | | No | XJ |
| 3 | N465489 | 1 | COVER | | | No | XJ |
| 4 | N484250 | 1 | OUTER FLANGE | | | No | XJ |
| 5 | NA015839 | 1 | MOTOR & SWITCH SA | | | No | XJ |
| 6 | NA015840 | 1 | ROTOR SA | | | No | XJ |
| 7 | NA015843 | 1 | GEARCASE COVER | | M14 | No | XJ |
| 9 | N775399 | 1 | GUARD | | 7" FLAT | No | XJ |
| 11 | N372039 | 1 | NUT | | | No | XJ |
| 12 | N071836 | 1 | ROLL PIN | | | No | XJ |
| 13 | N412210 | 4 | SCREW | | | No | XJ |
| 14 | N575500 | 2 | SCREW | | | No | XJ |
| 16 | N436965 | 2 | VENT | | | No | XJ |
| 18 | 330045-06 | 6 | SCREW | | | No | XJ |
| 19 | 330015-00 | 2 | NUT | | | No | XJ |
| 20 | N091479 | 1 | MOUNT | | | No | XJ |
| 21 | N787996 | 1 | INSERT | | | No | XJ |
| 22 | N831593 | 2 | SCREW | | | No | XJ |
| 23 | 330019-04 | 7 | SCREW | | | No | XJ |
| 24 | N467560 | 1 | PLATE | | | No | XJ |
| 25 | NA015847 | 1 | GEAR | | | No | XJ |
| 26 | 444793-00 | 1 | CIRCLIP | | | No | XJ |
| 27 | N453817 | 1 | O RING | | | No | XJ |
| 28 | N481950 | 1 | RETAINER | | | No | XJ |
| 29 | N775050 | 1 | RING | | | No | XJ |
| 30 | N472554 | 1 | BEARING | | | No | XJ |
| 31 | N774755 | 3 | WASHER SPRING | | | No | XJ |
| 33 | N835583 | 1 | FLANGE | | | No | XJ |
| 34 | N776988 | 1 | SPINDLE | | M14 | No | XJ |
| 35 | N263699 | 1 | O RING | | | No | XJ |
| 36 | N278899 | 1 | BUTTON | | | No | XJ |
| 37 | N263579 | 1 | SPRING | | | No | XJ |

Parts List DCG440N ANGLE GRINDER 1

| Item | Part Number | Qty | Part Description | General Description | Other Info | Repair Inst | Markets |
|------|-------------|-----|------------------|---------------------|----------------|-------------|---------|
| 38 | N481683 | 1 | LOCK PIN | | | No | XJ |
| 39 | N119639 | 1 | O RING | | | No | XJ |
| 40 | NA074142 | 1 | PINION | | 42T/9T | No | XJ |
| 41 | N175104 | 1 | BEARING | | | No | XJ |
| 42 | N453031 | 1 | RETAINER | | | No | XJ |
| 43 | N401958 | 1 | DEFLECTOR | | | No | XJ |
| 44 | N870782 | 1 | LABEL | | 54V | No | XJ |
| 46 | N862585 | 1 | RATING PLATE | | EURO | No | XJ |
| 47 | N862624 | 1 | LABEL | | INFO EURO | No | XJ |
| 48 | N862626 | 1 | LABEL | | FLEXVOLT | No | XJ |
| 50 | N107295 | 1 | HEX KEY | 6 mm | | No | XJ |
| 51 | N382311 | 1 | SIDE HANDLE | | | No | XJ |
| 52 | N461735 | 1 | SPRING | | | No | XJ |
| 53 | N496832 | 1 | ADAPTOR | | | No | XJ |
| 54 | N456232 | 1 | LABEL | | BRAKE | No | XJ |
| 55 | NA066293 | 1 | WASHER | | | No | XJ |
| 800 | N532558 | 1 | 7 INCH GUARD | | CUT OFF | No | XJ |
| 836 | N801781 | 1 | SERVICE TOOL | | GUARD ROTOR | No | XJ |
| 846 | N545570 | 1 | TUBE SILICONE | | | No | XJ |
| 862 | 629053-00 | 1 | BAG | | | No | XJ |